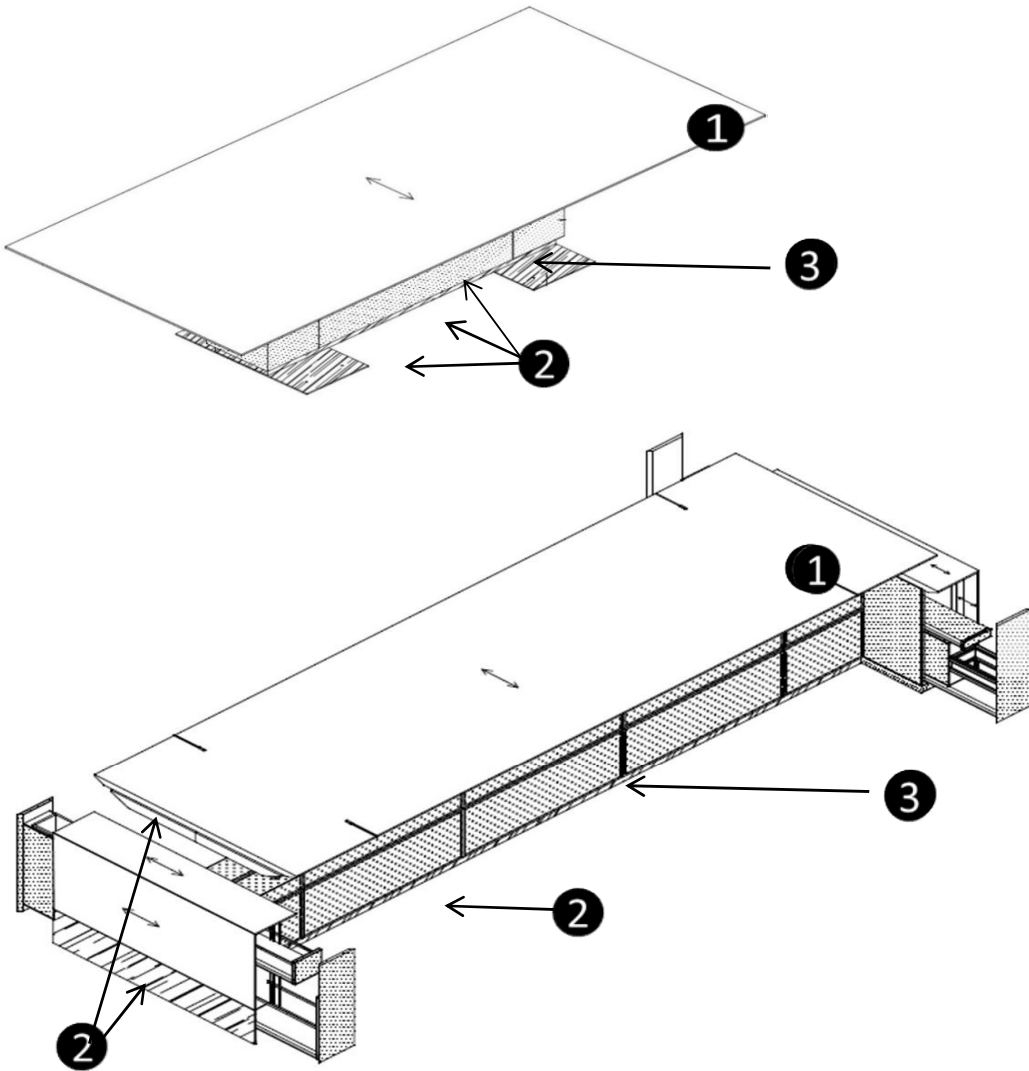


MOTILE

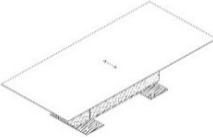
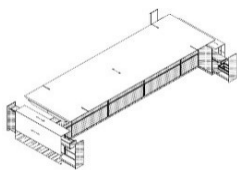
DECCA | CONTRACT



Without End Storage Unit

- ① Veneer worksurface Standard layup)  
- Options: custom veneer pattern
- ② Metal Finish (Power Coat Paint)  
- Options: Premium Metals
- ③ Removeable panels (Lacquer or Veneer)  
- Options: Customer's Own Leather  
End Storage Unit (Lacquer or Veneer)

# MOTILE TABLE

DESCRIPTION	MODEL	STANDARD VENEER	MOTILE VENEER PATTERN UPCHARGE(2020)	G1 PREMIUM METAL UPCHARGE(2020)	G2 PREMIUM METAL UPCHARGE(2020)	COL BASE UPCHARGE(2020)	WIDTH	DEPTH	HEIGHT
<b>Motile Table</b> without end storage unit 	MT HTB8442	46176	2309	9235	13853	2309	84	42	30
	MT HTB9642	47821	2391	9564	14346	2391	96	42	30
	MT HTB9648	47854	2393	9571	14356	2393	96	49	30
	MT HTB12042	65221	3261	13044	19566	3261	120	42	30
	MT HTB12048	65258	3263	13052	19577	3263	120	48	30
	MT HTB14448	70078	3504	14016	21024	3504	144	48	30
	MT HTB14454	74915	3746	14983	22474	3746	144	54	30
	MT HTB16854	79101	3955	15820	23730	3955	168	54	30
<b>Motile Table</b> with end storage unit 	MT HTS15054	98792	4940	19758	29638	4940	150	54	30
	MT HTS17254	102289	5114	20458	30687	5114	172	54	30
	MT HTS19454	105786	5289	21157	31736	5289	194	54	30

## NOTE

### FINISHES

For a complete list of finishes please go to [www.deccacontract.com](http://www.deccacontract.com)

### Options:

- Under worksurface drawer
- Under worksurface power drawer
- Decca Charge
- Custom veneer pattern
- Premium veneer
- Premium metal base

Dimensions are in inches and are approximate. Contact Customer Service if dimensions are critical.

\* Indicates model illustrated by line drawing.