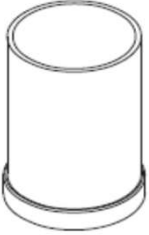
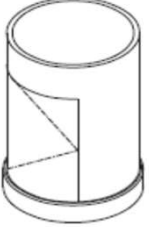


CONFERENCE
Palladia Classic Bases

DESCRIPTION	MODEL	Pricing		Specifications				
		STANDARD VENEER	PREMIUM VENEER	WIDTH	DEPTH	HEIGHT	WEIGHT	CUBIC FEET
Round Base 	PC CY18	2098	2518	18	18	28.75	97	7
	PC CY20	2349	2819	20	20	28.75	115	14
	PC CY24	2630	3156	24	24	28.75	135	20
	PC CY30	2946	3535	30	30	28.75	150	26
	PC CY36	3300	3960	36	36	28.75	165	32
	PC CY48	3695	4434	48	48	28.75	180	38
Round Base with Access 	PC CY18M	3148	3777	18	18	28.75	97	7
	PC CY20M	3523	4228	20	20	28.75	115	14
	PC CY24M	3945	4734	24	24	28.75	135	20
	PC CY30M	4418	5301	30	30	28.75	150	26
	PC CY36M	4948	5937	36	36	28.75	165	32
	PC CY48M	5542	6651	48	48	28.75	180	38

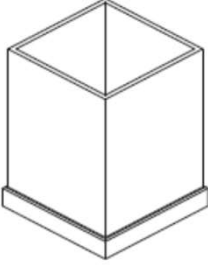
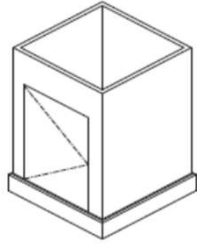
- PALLADIA CLASSIC BASES FEATURE
- Carved wood base with integral levelers
 - Hinged panel for internal access (optional)
 - Open bottom for floor access

NOTES

STANDARD FINISHES

For a complete list of standard finishes
please go to www.deccacontract.com

CONFERENCE
Palladia Classic Bases

DESCRIPTION	MODEL	Pricing		Specifications				
		STANDARD VENEER	PREMIUM VENEER	WIDTH	DEPTH	HEIGHT	WEIGHT	CUBIC FEET
Square Base 	PC BX18	1887	2264	18	18	28.75	97	7
	PC BX20	2113	2536	20	20	28.75	115	14
	PC BX24	2364	2837	24	24	28.75	135	20
	PC BX30	2648	3178	30	30	28.75	150	26
	PC BX36	2965	3558	36	36	28.75	165	32
	PC BX48	3321	3985	48	48	28.75	180	38
Square Base with Access 	PC BX18M	2831	3397	18	18	28.75	97	7
	PC BX20M	3169	3803	20	20	28.75	115	14
	PC BX24M	3546	4255	24	24	28.75	135	20
	PC BX30M	3971	4765	30	30	28.75	150	26
	PC BX36M	4449	5339	36	36	28.75	165	32
	PC BX48M	4983	5979	48	48	28.75	180	38

PALLADIA CLASSIC BASES FEATURE

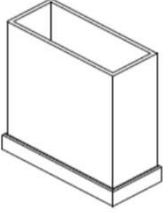
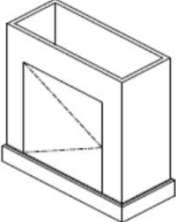
- Carved wood base with integral levelers
- Hinged panel for internal access (optional)
- Open bottom for floor access

NOTES

STANDARD FINISHES

For a complete list of standard finishes
please go to www.deccacontract.com

CONFERENCE
Palladia Classic Bases

DESCRIPTION	MODEL	Pricing		Specifications					
		STANDARD VENEER	PREMIUM VENEER	WIDTH	DEPTH	HEIGHT	WEIGHT	CUBIC FEET	
Rectangular Base 	PC PAT24	1488	1785	24	10	28.75	30	4	
	PC PAT30	1666	1999	30	10	28.75	50	6	
	PC PAT36	1866	2239	36	10	28.75	60	8	
Rectangular Base with Access 	PC PAT24M	2232	2678	24	10	28.75	30	4	
	PC PAT30M	2499	2999	30	10	28.75	50	6	
	PC PAT36M	2798	3358	36	10	28.75	60	8	

PALLADIA CLASSIC BASES FEATURE


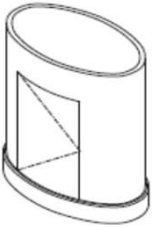
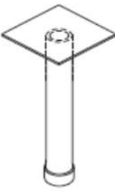
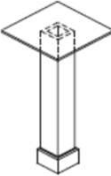
- Carved wood base with integral levelers
- Hinged panel for internal access (optional)
- Open bottom for floor access

NOTES

STANDARD FINISHES

For a complete list of standard finishes
please go to www.deccacontract.com

CONFERENCE
Palladia Classic Bases

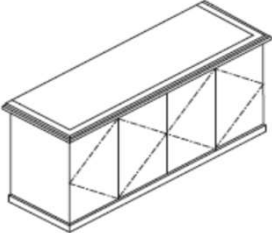
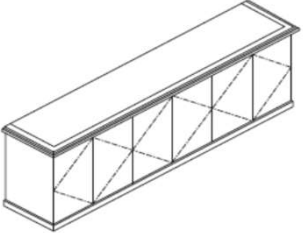
DESCRIPTION	MODEL	Pricing		Specifications					
		STANDARD VENEER	PREMIUM VENEER	WIDTH	DEPTH	HEIGHT	WEIGHT	CUBIC FEET	
Oval Base 	PC BL24	1952	2342	24	10	28.75	25	4	
	PC BL30	2187	2624	30	10	28.75	35	6	
	PC BL36	2450	2940	36	10	28.75	45	9	
Oval Base with Access 	PC BL24M	2927	3512	24	10	28.75	25	4	
	PC BL30M	3280	3936	30	10	28.75	35	6	
	PC BL36M	3675	4410	36	10	28.75	45	9	
Round Wood Leg 	PC W	946	1135	4	4	28.75	6	2	
Square Wood Leg 	PC R	851	1022	4	4	28.75	6	2	

NOTES

STANDARD FINISHES

For a complete list of standard finishes
please go to www.deccacontract.com

CONFERENCE
Palladia Classic Credenzas

DESCRIPTION	MODEL	Pricing		Specifications				
		STANDARD VENEER	PREMIUM VENEER	WIDTH	DEPTH	HEIGHT	WEIGHT	CUBIC FEET
30" ht. Credenza . 4 doors and adjustable wood shelves 	DG PCC601830	7985	9582	60	18	30	300	32
	DG PCC721830	8154	9785	72	18	30	330	34
	DG PCC841830	8321	9985	84	18	30	360	36
30" ht. Credenza . 6 doors and adjustable wood shelves 	DG PCC901830	8500	10200	90	18	30	400	38
	DG PCC961830	9299	11159	96	18	30	430	40

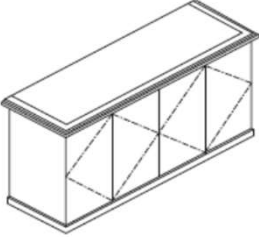
NOTES

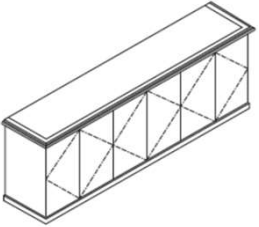
STANDARD FINISHES

For a complete list of standard finishes please go to www.deccacontract.com

CONFERENCE

Palladia Classic Credenzas

DESCRIPTION	MODEL	Pricing		Specifications				
		STANDARD VENEER	PREMIUM VENEER	WIDTH	DEPTH	HEIGHT	WEIGHT	CUBIC FEET
 <p>36" ht. Service Credenza</p>	DG PCC602236S	8786	10543	60	22	36	330	33
	DG PCC722236S	8970	10764	72	22	36	363	35
	DG PCC842236S	9153	10984	84	22	36	390	37
<ul style="list-style-type: none"> - Left Section features twin recycling containers on roll out frame - Right section features hinged door with space suitable for 1.6 cu.ft. refrigerator (not included) with venting provided through rear panels 								

 <p>36" ht. Service Credenza</p>	DG PCC902236S	10062	12075	90	22	36	420	39
	DG PCC962236S	10230	12276	96	22	36	455	40
<ul style="list-style-type: none"> - Left Section features twin recycling containers on roll out frame - Center section with roll out wood trays - Right section features hinged door with space suitable for 1.6 cu.ft. refrigerator (not included) with venting provided through rear panels 								

NOTES

STANDARD FINISHES

For a complete list of standard finishes please go to www.deccacontract.com