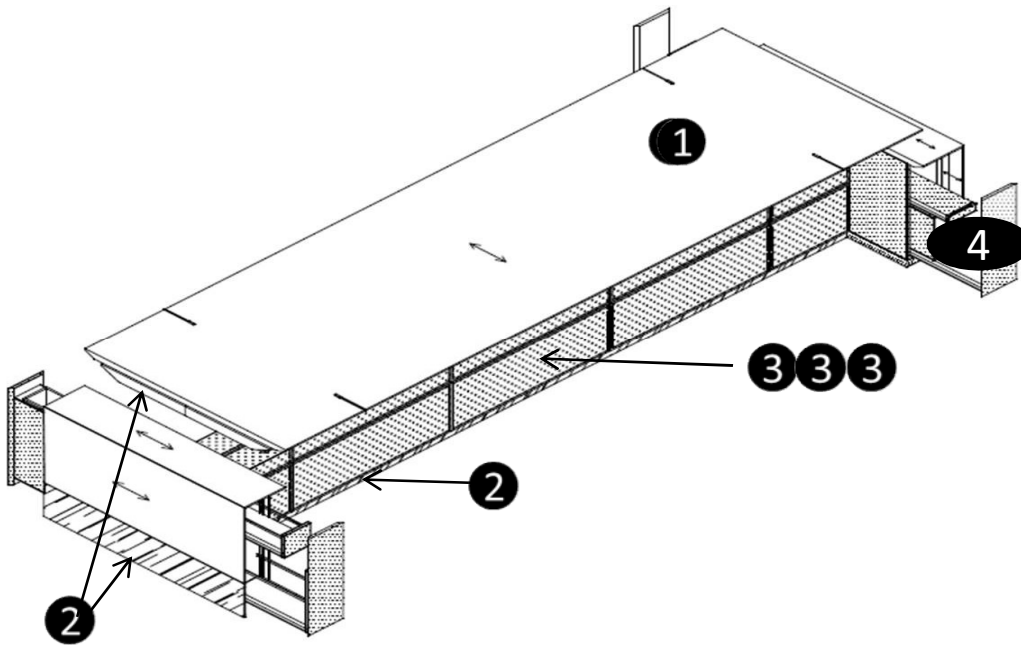


Without End Storage Unit

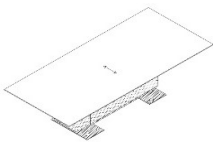
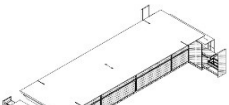
- 1 1** Veneer worksurface Standard layup)
- Options: custom veneer pattern
- 2 2** Metal Finish (Power Coat Paint)
- Options: Premium Metals
- 3 3** Removeable panels (Lacquer or Veneer)
- Options: Customer's Own Leather



Without End Storage Unit

- 1 1** Veneer worksurface Standard layup)
- Options: custom veneer pattern
- 2 2** Metal Finish (Power Coat Paint)
- Options: Premium Metals
- 3 3** Removeable panels (Lacquer or Veneer)
- Options: Customer's Own Leather
- 4 4** End Storage Unit (Lacquer or Veneer)

MOTILE TABLE

DESCRIPTION	MODEL	STANDARD VENEER	PREMIUM VENEER	MOTILE VENEER PATTERN UPCHARGE	PREMIUM METAL UPCHARGE	COL BASE UPCHARGE	DEPTH	HEIGHT	WIDTH
Motile Table without end storage unit 	MT HTB8442	36934	38780	1847	7387	1847	84	42	30
	MT HTB9642	38249	40162	1912	7650	1912	96	42	30
	MT HTB9648	38276	40189	1914	7655	1914	96	49	30
	MT HTB12042	52167	54776	2608	10433	2608	120	42	30
	MT HTB12048	52197	54806	2610	10439	2610	120	48	30
	MT HTB14448	56052	58855	2803	11210	2803	144	48	30
	MT HTB14454	59920	62916	2996	11984	2996	144	54	30
	MT HTB16854	63269	66432	3163	12654	3163	168	54	30
Motile Table with end storage unit 	MT HTS15054	79019	94823	3951	15804	3951	150	54	30
	MT HTS17254	81816	85907	4091	16363	4091	172	54	30
	MT HTS19454	84613	88844	4231	16923	4231	194	54	30

NOTE

STANDARD FINISHES

For a complete list of STANDARD wood finishes please refer to general information

Options:

- Under worksurface drawer
- Under worksurface power drawer
- Decca Charge
- Custom veneer pattern
- Premium veneer
- Premium metal base

Dimensions are in inches and are approximate.

Contact Customer Service if dimensions are critical.

www.deccacontract.com