
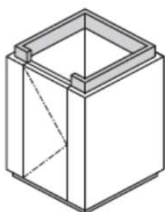
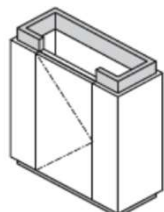


Basis Bases

DESCRIPTION	MODEL	Pricing			Specifications				
		STANDARD VENEER	PREMIUM VENEER	PREMIUM METAL TRIM UPCHARGE	WIDTH	DEPTH	HEIGHT	WEIGHT	CUBIC FEET
<b>Round Base</b> with Access 	BA CY18M	2046	2456	409	18	18	27.5	97	7
	BA CY20M	2069	2482	414	20	20	27.5	115	14
	BA CY24M	2146	2575	429	24	24	27.5	135	20
	BA CY30M	2351	2821	470	30	30	27.5	150	26
	BA CY36M	2557	3068	511	36	36	27.5	165	32
<b>Square Base</b> with Access 	BA BX18M	2015	2418	403	18	18	27.5	97	7
	BA BX20M	2048	2457	410	20	20	27.5	115	14
	BA BX24M	2097	2516	419	24	24	27.5	135	20
	BA BX30M	2194	2632	439	30	30	27.5	150	26
	BA BX36M	2290	2748	458	36	36	27.5	165	32
<b>Rectangular Base</b> with Access 	BA PAT24M	1766	2119	353	24	10	27.5	25	4
	BA PAT30M	1804	2165	361	30	10	27.5	35	6
	BA PAT34M	1839	2206	368	34	10	27.5	45	9
	BA PAT36M	1874	2249	375	36	10	27.5	55	12

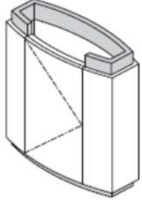
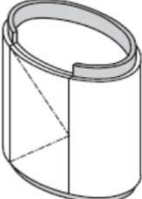
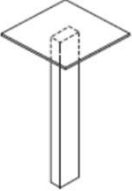
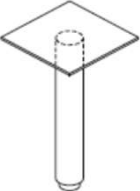
NOTES

STANDARD FINISHES

For a complete list of standard wood and metal finishes refer to page 5-6.

Shaded area on drawing indicates metal finish.

Basis Bases

DESCRIPTION	MODEL	Pricing			Specifications				
		STANDARD VENEER	PREMIUM VENEER	PREMIUM METAL TRIM UPCHARGE	WIDTH	DEPTH	HEIGHT	WEIGHT	CUBIC FEET
<b>Bowed Rectangular Base with Access</b> 	BA BR24M	2273	2727	455	24	10	27.5	25	4
	BA BR30M	2320	2784	464	30	10	27.5	35	6
	BA BR34M	2382	2859	476	34	10	27.5	45	9
	BA BR36M	2444	2933	489	36	10	27.5	55	12
<b>Oval Base with Access</b> 	BA EL24M	2793	3351	559	24	16	27.5	25	4
	BA EL30M	2932	3519	586	30	16	27.5	35	6
	BA EL34M	3010	3612	602	34	16	27.5	45	9
	BA EL36M	3087	3705	617	36	16	27.5	55	12
<b>Rectangular Wood Leg</b> 	BA WL	813	976	163	6	3	27.5	25	4
<b>Round Wood Leg</b> 	BA TL	776	931	155	3	3	27.5	25	4

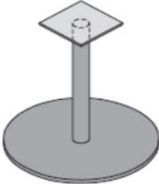
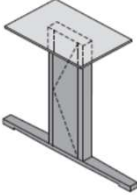
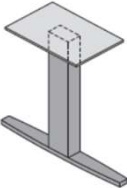
NOTES

STANDARD FINISHES

For a complete list of standard wood and metal finishes refer to page 5-6.

Shaded area on drawing indicates metal finish.

**Basis Bases**

DESCRIPTION	MODEL	Pricing		Specifications				
		STANDARD PAINT	PREMIUM METAL	WIDTH	DEPTH	HEIGHT	WEIGHT	CUBIC FEET
<b>Disc Base</b> 	<b>BA PT24</b>	<b>1542</b>	<b>1851</b>	<b>24</b>	<b>24</b>	<b>28.75</b>	<b>31</b>	<b>13</b>
	<b>BA PT30</b>	<b>1699</b>	<b>2039</b>	<b>30</b>	<b>30</b>	<b>28.75</b>	<b>41</b>	<b>21</b>
<b>T Access Base</b> Provides access to vertical chase for cables 	<b>BA T24M</b>	<b>1699</b>	<b>2039</b>	<b>24</b>	<b>4</b>	<b>28.75</b>	<b>41</b>	<b>21</b>
	<b>BA T30M</b>	<b>1855</b>	<b>2226</b>	<b>30</b>	<b>4</b>	<b>28.75</b>	<b>41</b>	<b>21</b>
	<b>BA T36M</b>	<b>2009</b>	<b>2411</b>	<b>36</b>	<b>4</b>	<b>28.75</b>	<b>41</b>	<b>21</b>
<b>T Base</b> 	<b>BA T24</b>	<b>1233</b>	<b>1479</b>	<b>24</b>	<b>4</b>	<b>28.75</b>	<b>41</b>	<b>21</b>
	<b>BA T30</b>	<b>1388</b>	<b>1666</b>	<b>30</b>	<b>4</b>	<b>28.75</b>	<b>41</b>	<b>21</b>
	<b>BA T36</b>	<b>1542</b>	<b>1851</b>	<b>36</b>	<b>4</b>	<b>28.75</b>	<b>45</b>	<b>21</b>

**BASIS LEGS FEATURES**

- Welded steel construction with standard metal finish: select color per page 6.
- Integral levelers

**NOTES**

**STANDARD FINISHES**

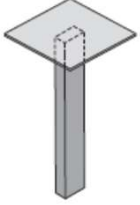
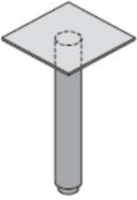
For a complete list of standard wood and metal finishes refer to page 5-6.

Shaded area on drawing indicates metal finish.

Base includes adjustable glides along perimeter.

Effective Oct 1, 2018

Basis Bases

DESCRIPTION	MODEL	Pricing		Specifications					
		STANDARD PAINT	PREMIUM METAL	WIDTH	DEPTH	HEIGHT	WEIGHT	CUBIC FEET	
<b>Rectangular Metal Leg</b> 	<b>BA WSL</b>	<b>976</b>	<b>1171</b>	<b>6</b>	<b>3</b>	<b>28.75</b>	<b>25</b>	<b>4</b>	
<b>Round Metal Leg</b> 	<b>BA TSL</b>	<b>931</b>	<b>1118</b>	<b>3</b>	<b>3</b>	<b>28.75</b>	<b>25</b>	<b>4</b>	

BASIS LEGS FEATURES

- Welded steel construction with standard metal finish: select color per page 6.
- Integral levelers

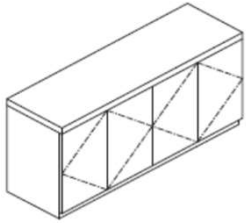
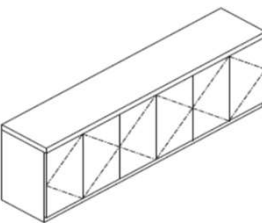
NOTES

STANDARD FINISHES

For a complete list of standard wood and metal finishes refer to page 5-6.

Shaded area on drawing indicates metal finish.

Basis Credenzas

DESCRIPTION	MODEL	Pricing				Specifications				
		STANDARD VENEER	PREMIUM VENEER	INLAY	VENEER BORDER	WIDTH	DEPTH	HEIGHT	WEIGHT	CUBIC FEET
<b>30" ht. Credenza</b> . 4 doors and adjustable wood shelves 	DG BA601829	6036	7244	905	1207	60	18	29	300	32
	DG BA721829	6163	7396	924	1233	72	18	29	330	34
	DG BA841829	6290	7548	944	1258	84	18	29	360	36
<b>30" ht. Credenza</b> . 6 doors and adjustable wood shelves 	DG BA901829	6910	8291	1036	1382	90	18	29	400	38
	DG BA961829	7029	8435	1054	1406	96	18	29	430	40

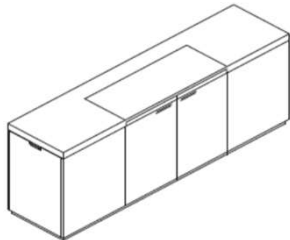
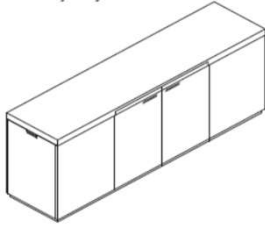
NOTES

STANDARD FINISHES

For a complete list of standard wood and metal finishes refer to page 5-6.

Basis Credenzas

DESCRIPTION	MODEL	Pricing		Specifications				
		STANDARD VENEER	PREMIUM VENEER	WIDTH	DEPTH	HEIGHT	WEIGHT	CUBIC FEET
<p><b>34" ht. Service Credenza</b></p> <ul style="list-style-type: none"> <li>- Center Doors</li> <li>- Top surface is standard Decca wood veneer with integrated cutlery trays</li> </ul>	<b>DG BASC902234SW</b>	<b>14272</b>	<b>17126</b>	<b>90</b>	<b>22</b>	<b>34</b>	<b>380</b>	<b>55</b>
<p><b>34" ht. Service Credenza</b></p> <ul style="list-style-type: none"> <li>- Center Doors</li> <li>- Top surface Inset is Decca SSF solid surface in white with integrated cutlery trays</li> </ul>	<b>DG BASC902234SS</b>	<b>14449</b>	<b>17339</b>	<b>90</b>	<b>22</b>	<b>34</b>	<b>380</b>	<b>55</b>



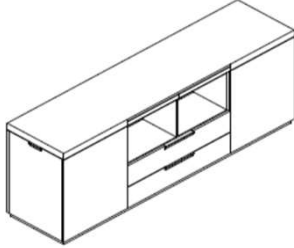
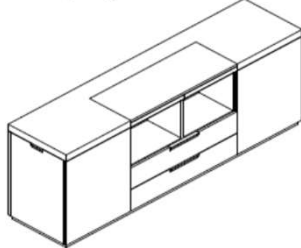
- Interior panels are Decca wood veneer
- Exterior panels standard Decca wood veneer
- Center section features paired hinged door, adjustable shelving within
- Left Hand Side features pull out recycling containers
- Right Hand Side features hinged door with space for 2.6 cu ft refrigerator (not included) with integrated venting through rear panels

NOTES

STANDARD FINISHES

For a complete list of standard wood and metal finishes refer to page 5-6.

Basis Credenzas

DESCRIPTION	MODEL	Pricing		Specifications				
		STANDARD VENEER	PREMIUM VENEER	WIDTH	DEPTH	HEIGHT	WEIGHT	CUBIC FEET
<p><b>34" ht. Service Credenza</b></p> <ul style="list-style-type: none"> <li>- Center Drawers/Open Above</li> <li>- Top surface is standard Decca wood veneer with integrated cutlery trays</li> </ul> 	<b>BA SDC9022BCB</b>	<b>14659</b>	<b>17591</b>	<b>90</b>	<b>22</b>	<b>34</b>	<b>380</b>	<b>55</b>
<p><b>34" ht. Service Credenza</b></p> <ul style="list-style-type: none"> <li>- Center Drawers/Open Above</li> <li>- Top surface Inset is Decca SSF solid surface in white with integrated cutlery trays</li> </ul> 	<b>BA SDC9022BCSB</b>	<b>14887</b>		<b>90</b>	<b>22</b>	<b>34</b>	<b>380</b>	<b>55</b>

- Interior panels are Decca wood veneer
- Exterior panels standard Decca wood veneer
- Center section features two open storage cubicles standard in Pearl White finish above, twin shallow storage drawers below
- Left Hand Side features pull out recycling containers
- Right Hand Side features hinged door with space for 2.6 cu ft refrigerator (not included) with integrated venting through rear panels

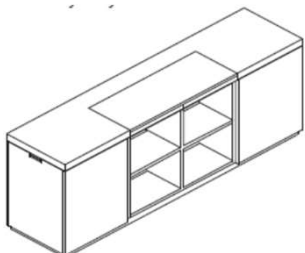
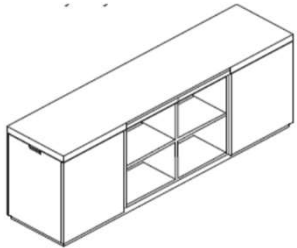
NOTES

STANDARD FINISHES

For a complete list of standard wood and metal finishes refer to page 5-6.

Basis Credenzas

DESCRIPTION	MODEL	Pricing		Specifications				
		STANDARD VENEER	PREMIUM VENEER	WIDTH	DEPTH	HEIGHT	WEIGHT	CUBIC FEET
<p><b>34" ht. Service Credenza</b></p> <ul style="list-style-type: none"> <li>- Center Open</li> <li>- Top surface is standard Decca wood veneer with integrated cutlery trays</li> </ul>	<b>BA BSO9022BCB</b>	<b>13708</b>	<b>16449</b>	<b>90</b>	<b>22</b>	<b>34</b>	<b>380</b>	<b>55</b>
<p><b>34" ht. Service Credenza</b></p> <ul style="list-style-type: none"> <li>- Center Open</li> <li>- Top surface Inset is Decca SSF solid surface in white with integrated cutlery trays</li> </ul>	<b>BA BSO9022BCSB</b>	<b>14488</b>		<b>90</b>	<b>22</b>	<b>34</b>	<b>380</b>	<b>55</b>



- Interior panels are Decca wood veneer
- Exterior panels standard Decca wood veneer
- Center section features four open storage cubicles standard in Pearl White
- Left Hand Side features pull out recycling containers
- Right Hand Side features hinged door with space for 2.6 cu ft refrigerator (not included) with integrated venting through rear panels

NOTES

STANDARD FINISHES

For a complete list of standard wood and metal finishes refer to page 5-6.



**Basis Media Wall**

The **Basis Media Wall** provides an architectural presence to the modern conference room environment. The Media Wall is composed of three elements, a left hand, center and right hand cabinet, each offering a separate functional attribute. These cabinets are each offered in one standard configuration and finish and are not interchangeable.

**Media Wall installation requires the attachment of units to wall via included wall cleats. Securing of units to the wall is the responsibility of the owner.**

Mounting hardware for flat screen is not included.

**Left Hand Cabinet**

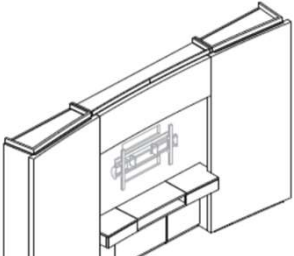
- 15" deep cabinet in painted finish
- Four adjustable shelves in painted finish
- Hinged door in painted finish (locks are optional on door fronts and must be specified at time of order)

**Center Cabinet**

- 6" deep cabinet divided into top and bottom sections in painted finish
- 4" deep vertical wire chase behind entire cabinet
- Removeable panels in both top and bottom sections offers access to vertical wire chase and building power/telephone/data receptacles (F.B.O.)
- Top Section designed to accommodate flat screen monitor mounting brackets (F.B.O.)
- Bottom Section includes storage shelf with two drawers and open center section in Decca White SSF

**Right Hand Cabinet**

- 15" deep cabinet in painted finish
- One coat rod
- One fixed shelf above coat rod in painted finish
- Hinge door in painted finish (locks are optional on door fronts and must be specified at time of order)

DESCRIPTION	MODEL	Pricing		Specifications				
		STANDARD VENEER	PREMIUM VENEER	WIDTH	DEPTH	HEIGHT	WEIGHT	CUBIC FEET
 <p><b>Media Wall Curved</b></p>	<b>BA MWC12618</b>	<b>33730</b>	<b>40476</b>	<b>126</b>	<b>18</b>	<b>84</b>	<b>880</b>	<b>102</b>
	120" Fits up to 42" Flat Screen 60" Clear Width							
	<b>BA MWC14418</b>	<b>37060</b>	<b>44472</b>	<b>144</b>	<b>18</b>	<b>84</b>	<b>980</b>	<b>140</b>
	144" Fits up to 60" Flat Screen 78" Clear Width							

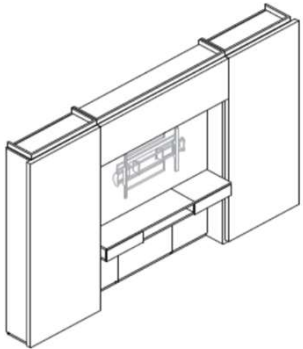
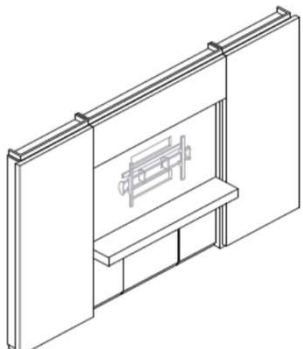
**NOTES**

**STANDARD FINISHES**

For a complete list of standard wood and metal finishes refer to page 5-6.

Shaded area on drawing indicates metal finish.

Basis Media Wall

DESCRIPTION	MODEL	Pricing		Specifications				
		STANDARD VENEER	PREMIUM VENEER	WIDTH	DEPTH	HEIGHT	WEIGHT	CUBIC FEET
<b>Media Wall Straight</b> 	<b>BA MWS12618</b>	<b>32390</b>	<b>38868</b>	<b>126</b>	<b>18</b>	<b>84</b>	<b>880</b>	<b>102</b>
	120" Fits up to 42" Flat Screen 60" Clear Width							
	<b>BA MWS14418</b>	<b>33953</b>	<b>40743</b>	<b>144</b>	<b>18</b>	<b>84</b>	<b>980</b>	<b>140</b>
	144" Fits up to 60" Flat Screen 78" Clear Width							
<b>Media Wall Thin</b> - Bottom Section includes fixed storage shelf only, no drawers are provided. 	<b>BA MWT12612</b>	<b>28403</b>	<b>34084</b>	<b>126</b>	<b>12</b>	<b>84</b>	<b>880</b>	<b>102</b>
	120" Fits up to 42" Flat Screen 60" Clear Width							
	<b>BA MWT14412</b>	<b>34387</b>	<b>41264</b>	<b>144</b>	<b>12</b>	<b>84</b>	<b>980</b>	<b>140</b>
	144" Fits up to 60" Flat Screen 78" Clear Width							



NOTES

STANDARD FINISHES

For a complete list of standard wood and metal finishes refer to page 5-6.

Shaded area on drawing indicates metal finish.

Basis Media Wall

DESCRIPTION	MODEL	Pricing		Specifications				
		STANDARD VENEER	PREMIUM VENEER	WIDTH	DEPTH	HEIGHT	WEIGHT	CUBIC FEET
 <p>- Open Storage Cart has two levels of fixed height shelving                      - Welded steel frame construction with standard metal finish: select color per page 6.                      - Interior panels are standard in Pearl White                      - Exterior panels standard Decca wood veneer                      - Top Surface Decca SSF solid surface in white                      - Heavy duty casters in silver painted finish with 4" diameter black non-marring treads</p>	<b>BA MC433034</b>	<b>3906</b>	<b>4688</b>	<b>43</b>	<b>30</b>	<b>34</b>	<b>145</b>	<b>20</b>
 <p>- Open/Closed Storage Cart has one level of fixed height shelving and pull out storage drawer on each side.                      - Welded steel frame construction with standard metal finish: select color per page 6.                      - Interior panels are standard in Pearl White                      - Exterior panels standard Decca wood veneer                      - Top Surface Decca SSF solid surface in white                      - Heavy duty casters in silver painted finish with 4" diameter black non-marring treads</p>	<b>BA MC433034F</b>	<b>4098</b>	<b>4918</b>	<b>43</b>	<b>30</b>	<b>34</b>	<b>145</b>	<b>20</b>

NOTES

STANDARD FINISHES

For a complete list of standard wood and metal finishes refer to page 5-6.

Shaded area on drawing indicates metal finish.